

## ***The Slate-Line Ventilation Range***

A range of easy to fit unobtrusive roof vents in a variety of sizes and colours to match the natural slates on the market today. With an adapter kit Slate-Line vents can also be used to terminate soil pipes and mechanical extractors.

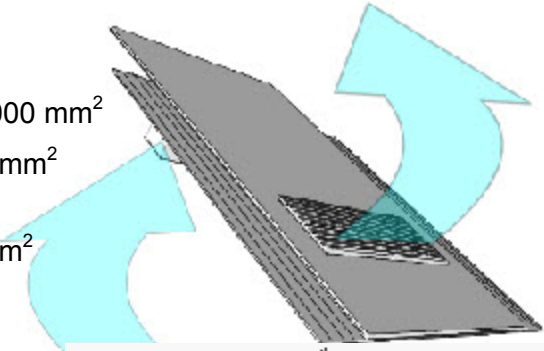


## Slate-Line as a roof space Ventilator

The Slate vent at 1.0 metre centres will achieve the equivalent of 10,000 mm<sup>2</sup>

One vent at 1.00 metre centres will achieve the equivalent of 10,000 mm<sup>2</sup> per linear metre at low level

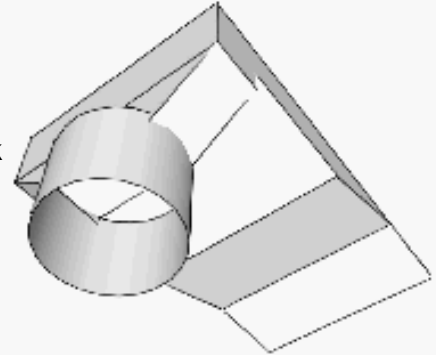
One vent at 2.00 metre centres will achieve the equivalent of 5,000 mm<sup>2</sup> at high level.



## Slate-Line Vent as a soil vent or mechanical extract fan terminal

The Slate Vent can be adapted for connection to 110 mm diameter pipe work

Adaptor and flexi-pipe are supplied separately.



### Exhausting air to atmosphere

Pressure Drop Across Vent (Pa)	Volume Flow Through Vent (litres/sec)
72	46.9
47	37.5
26	27.8
12	18.1
3	8.3
0	0

## Slate-Line vents are available as:

**The Slate-Line Smooth Vent** 600 x 300 mm and 500 x 250 mm

**The Slate-Line Textured Vent** 600 x 300 mm and 500 x 250 mm

**The Slate-Line Natural Vent** (a bespoke product)

A natural slate acts as the upper cover with a catchment tray chemically bonded to it.

A minimum width of 300 mm\* applies allowing the following formats:

600 x 300 mm - 500 x 300 mm & 400 x 300 mm.

*\*When used with slates of less than 300 mm width*

*the adjacent slates require trimming along their length to maintain perps.*



Whilst there is currently no British Standard test for driving rain testing.

The Vent-line Slate vent range has been tested at the Building Research

Establishment for rain penetration. Test results and methods are available on request.